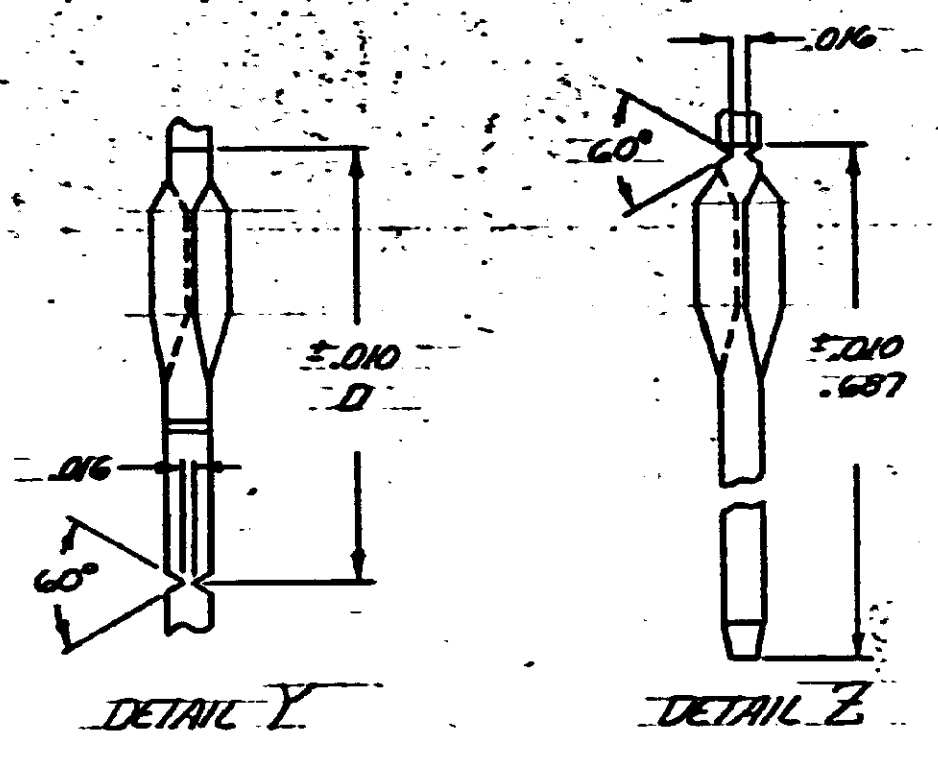
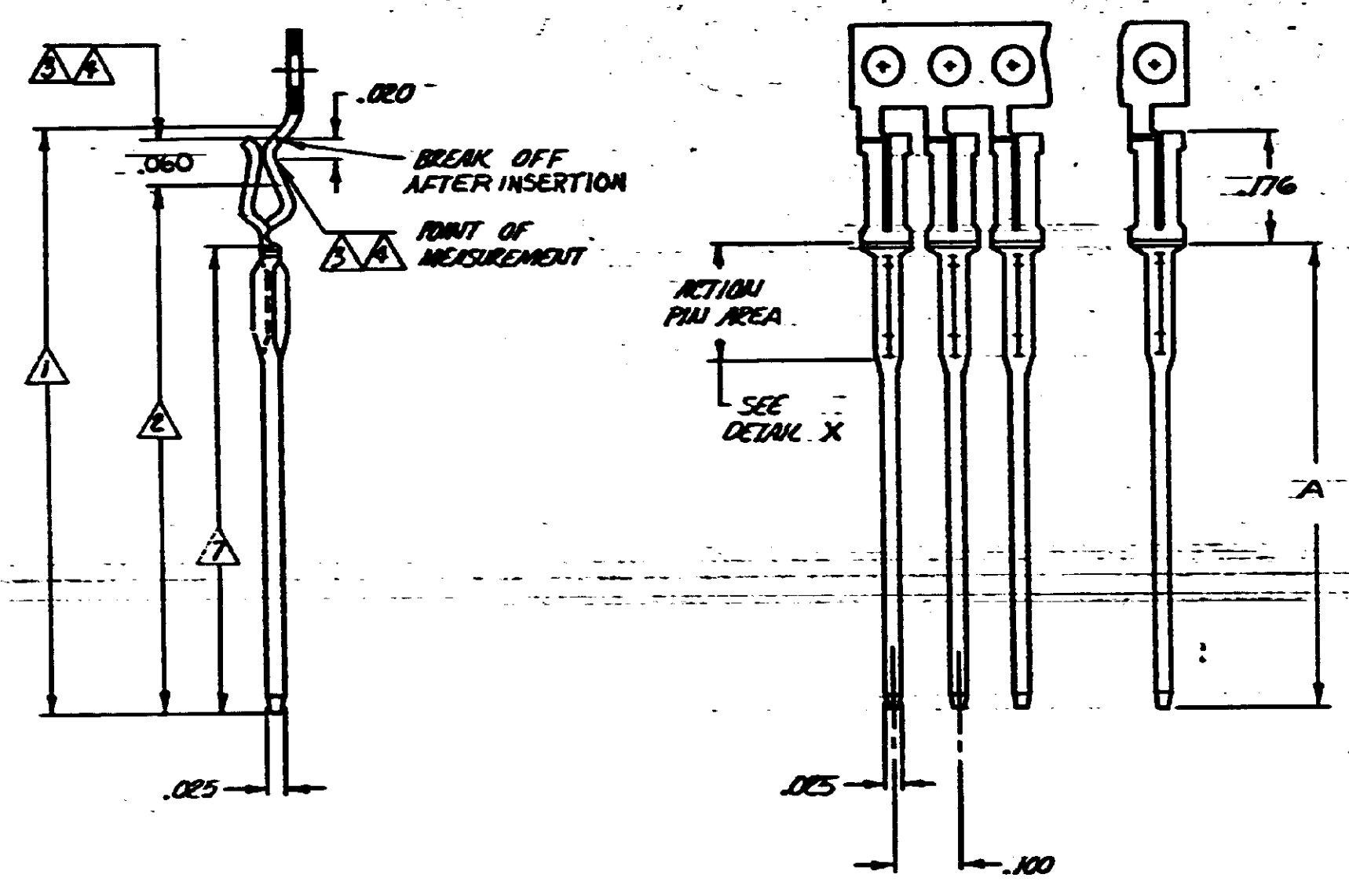
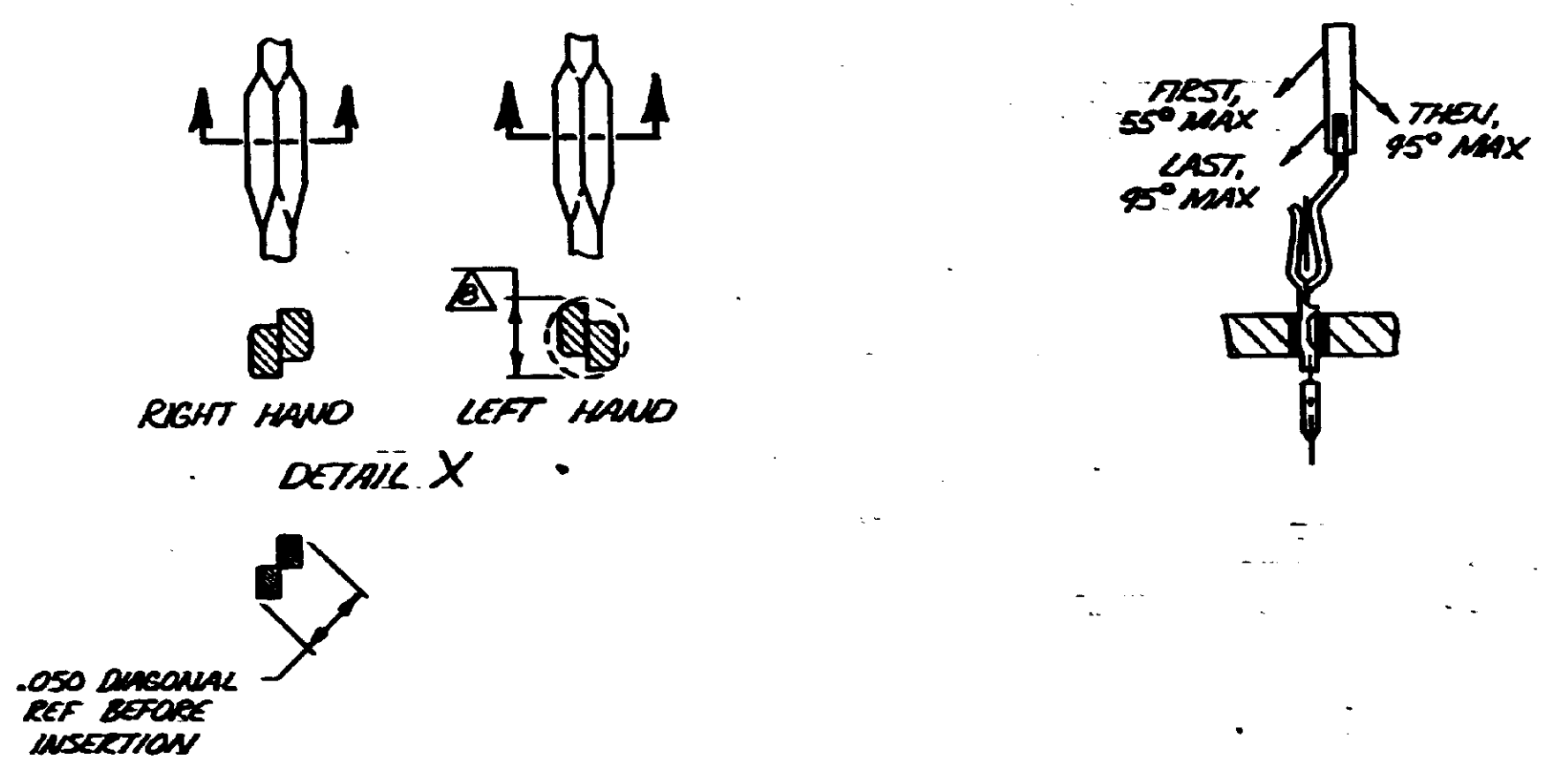


THIS DRAWING IS UNPUBLISHED. RELEASED FOR PUBLICATION. 10
 COPYRIGHT 1964 BY AMP INCORPORATED, HARRISBURG, PA. ALL INFORMATION CONTAINED HEREIN IS UNCLASSIFIED EXCEPT WHERE SHOWN OTHERWISE. AMP PRODUCTS MAY BE COVERED BY U.S. AND FOREIGN PATENTS AND/OR PATENTS PENDING.

REV	DATE	DESCRIPTION	APPROVED
1	12-5-63	REVISED PER CBS-1016	
2	3-8-64	REV PER ECM AB 0831	
3	9-8-66	ECN AB-1888	
4	11-6-66	OPS-10 END OF 0148	
5		REVISED PER DF 6304	



- 1. GOLD PL. (MIL-G-45209), .000050 MIN THK OVER NICKEL PL. (QQ-NI-290), .000100 MIN THK.
- 2. GOLD PL. (MIL-G-45209), .000010 MIN THK OVER NICKEL PL. (QQ-NI-290), .000100 MIN THK.
- 3. GOLD PL. (MIL-G-45209), .000030 MIN THK OVER NICKEL PL. (QQ-NI-290), .000100 MIN THK.
- 4. GOLD PL. (MIL-G-45209), .000050 MIN THK OVER NICKEL PL. (QQ-NI-290), .000100 MIN THK.
- 5. PLATING NOT REQUIRED ON CARRIER STRIP.
- 6. REFER TO DRAWING 117178 FOR TYPICAL CONNECTOR SYSTEM APPLICATION.
- 7. .0412 DIA HOLE IS REQD FOR ASSEMBLY INTO PLATED THRU HOLES. PRIOR TO REFLOW SOLDER OPERATIONAL .036 TO .043 DIA HOLE IS REQD FOR PRESS FIT APPLICATION.
- 8. RIGHT AND LEFT HAND CONTACTS, ALTERNATE ON CARRIER STRIP.
- 9. A TYPE HOLE.
- 10. OBSOLETE (DUE TO NO ACTIVITY).



SIZE	CONTRACT NO.	FINISH	PART NO.
.315	117906	A/B	1-119272-9
.275	220793-1	A/B	1-119272-0
.180	118413	A/B	1-119272-7
.165	118438-1	A/B	1-119272-6
.225	117906	A/B	1-119272-5
.180	118453	A/B	1-119272-4
.290	118453	A/B	1-119272-3
.155	118272	A/B	1-119272-2
.155	118272	A/B	1-119272-1
.155	117906	A/B	1-119272-0
.155	117906	A/B	1-119272-9
	117768	A/B	1-119272-8
	117617	A/B	1-119272-7
	228098	A/B	1-119272-6
	117617	A/B	1-119272-5
	118799	A/B	1-119272-4
	117770	A/B	1-119272-2

UNLESS OTHERWISE SPECIFIED DIMENSIONS ARE IN INCHES. TOLERANCES ON: DECIMALS ±.000 ANGLES ±.5°	CONTRACT NO.	AMP INCORPORATED HARRISBURG, PA. 17115
	DR. T. Smith 4/18/63	NAME
MATERIAL BERYLUM COPPER (QQ-C-533)	CHK. R. J. ...	CONTACT, RECEPTACLE PCB, ECONOMATE II
FINISH A/B/A	APPD. R. J. ...	SIZE D
	DSGN APPD.	FSCM NO. 00779
	OTHER APPD. T. Smith 4/18/63	DRAWING NO. 119272
		SCALE NTS